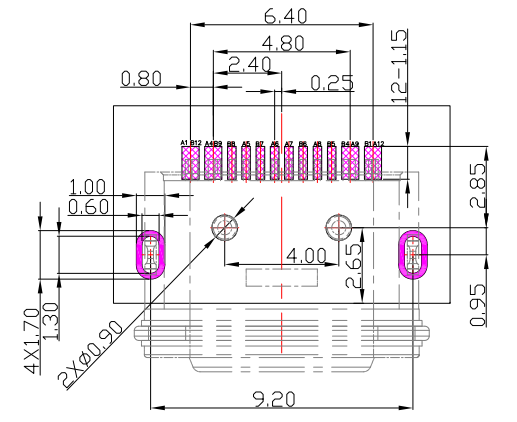
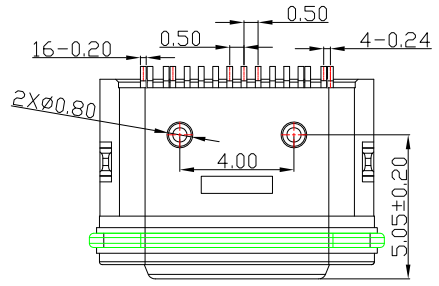
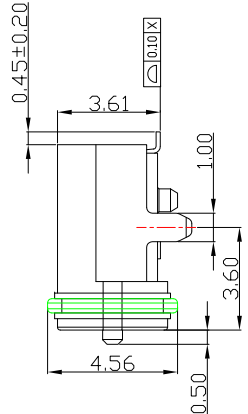
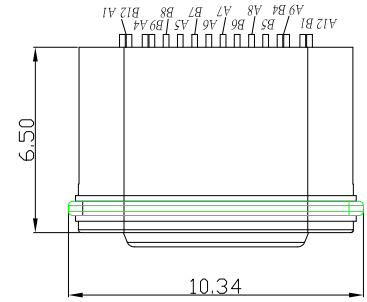
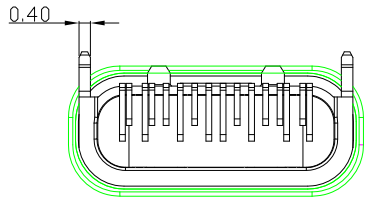
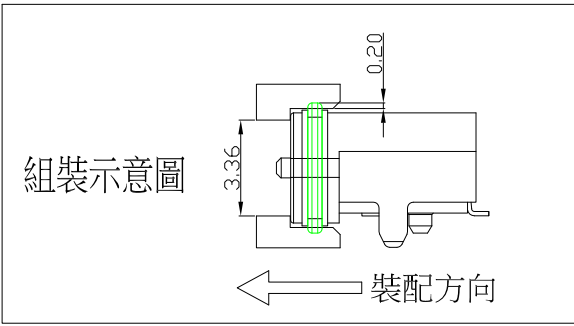


# SBC-WP160S3-20x-S412

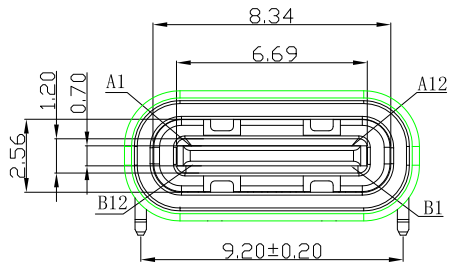
鍍層厚度:

|       |        |
|-------|--------|
| Blank | : 1u"  |
| 2     | : 15u" |
| 3     | : 30u" |

# IPX7



RECOMMENDED PCB LAYOUT



|     |             |     |             |
|-----|-------------|-----|-------------|
| A1  | GND         | B12 | GND         |
| A4  | VBUS        | B9  | VBUS        |
| A5  | CC1         | B8  | SBU2        |
| A6  | D+          | B7  | D-          |
| A7  | D-          | B6  | D+          |
| A8  | SBU1        | B5  | CC2         |
| A9  | VBUS        | B4  | VBUS        |
| A12 | GND         | B1  | GND         |
| PIN | SIGNAL NAME | PIN | SIGNAL NAME |

### SPECIFICATIONS

#### Electrical:

- Rating: 5.0 A
- Contact Resistance: 40 mΩ Max
- Insulation Resistance: 100 MΩ Min
- Dielectric Withstand Voltage: 100V AC

#### Mechanical:

- Connector Mate and Unmate Force
  - Mate force: 5~20 N
  - Unmate force: 8~20 N

#### Material:

- Housing: LCP
- Contact: C7025
- Shell: SUS

#### Finish:

- Contact: Plated Gold in Mating Area ;  
Gold Plated on Solder Balls ;  
Nickel under plated overall
- Shell: Nickel under Plated surface layer



|                                    |                    |              |       |    |
|------------------------------------|--------------------|--------------|-------|----|
| TOLERANCE UNLESS OTHERWISE STATED: | Up to 5 ±0.2       | 3RD. ANGEL'S | UNITS | MM |
|                                    | Above 5 ~ 15 ±0.3  |              |       |    |
|                                    | Above 15 ~ 30 ±0.4 |              |       |    |
|                                    | Above 30 ~ 50 ±0.5 |              |       |    |
|                                    | Angle ±0.3°        |              |       |    |

|              |          |        |           |                                   |
|--------------|----------|--------|-----------|-----------------------------------|
| DRAWN BY:    | DATE     | MAT'L  | TITLE     | CONNECTOR                         |
| Jack Lu      | 05/22/23 |        | MODLE     | USB C TYPE 2.0 Female 防水型 防水型IPX7 |
| CHECKED BY:  | DATE     | FINISH | DWG NO.   | SBC-WP160S3-20x-S412              |
| Jacky Chen   | 05/22/23 |        | PART NO.  | SBC-WP160S3-20x-S412              |
| APPROVED BY: | DATE     | SCALE  | SHEET NO. | 1 of 1                            |
| Tony Kao     | 05/22/23 | 1 : 1  |           |                                   |

|          |             |       |      |
|----------|-------------|-------|------|
| ITEM NO. | DESCRIPTION | DRAWN | DATE |
|          |             |       |      |